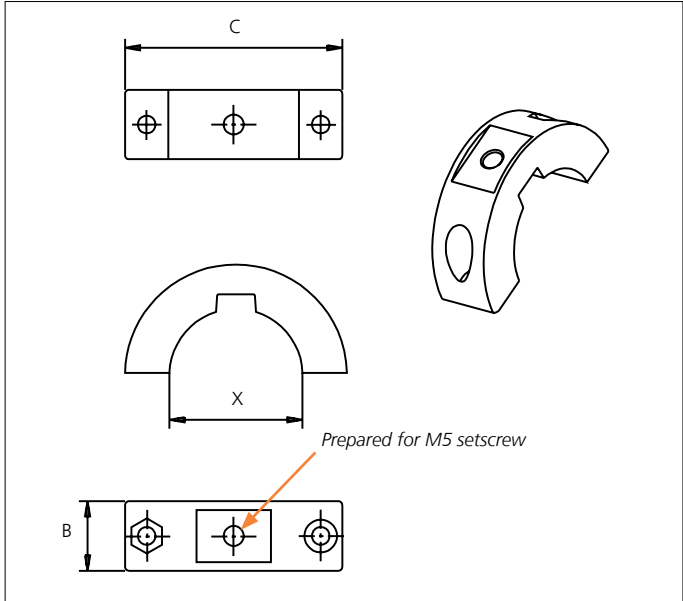
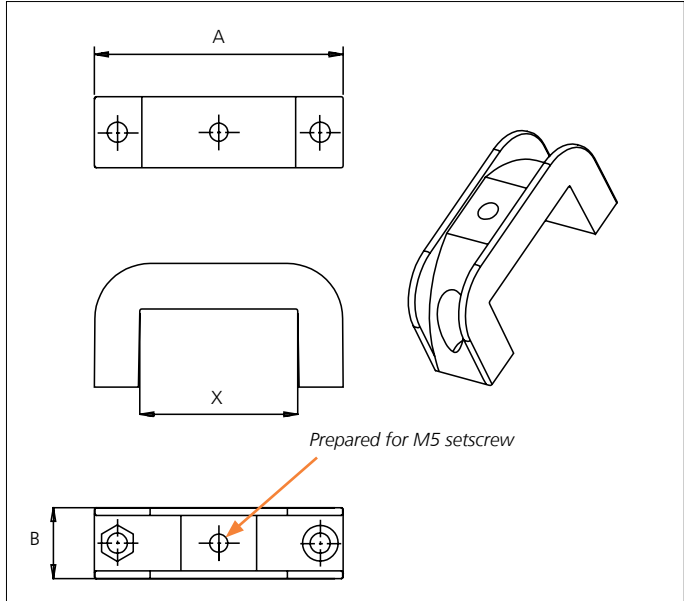
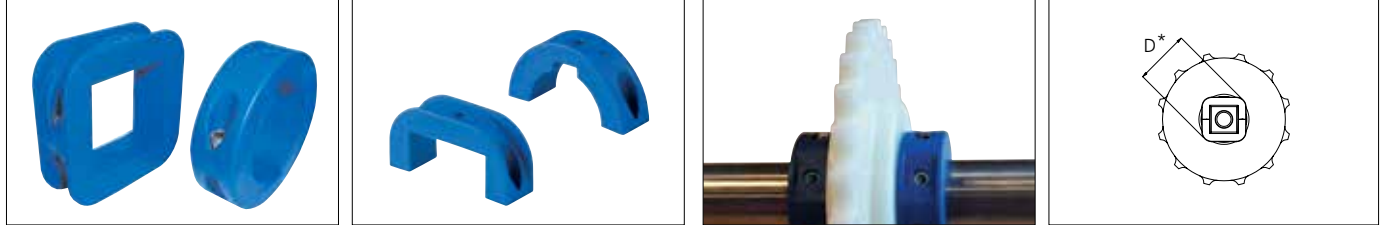




Accessories uni Retainer Sheet

uni Retainer Rings



| Type | A | | B | | D* | |
|----------|----|-----|----|-----|------|------|
| | mm | in | mm | in | mm | in |
| SQ40 mm | 63 | 2.5 | 18 | 0.7 | ø80 | ø3.1 |
| SQ50 mm | 80 | 3.1 | 18 | 0.7 | ø103 | ø4.1 |
| SQ60 mm | 95 | 3.7 | 18 | 0.7 | ø124 | ø4.9 |
| SQ1 in | 44 | 1.7 | 14 | 0.6 | ø52 | ø2.0 |
| SQ1.5 in | 63 | 2.5 | 18 | 0.7 | ø80 | ø3.1 |
| SQ2.5 in | 95 | 3.7 | 18 | 0.7 | ø124 | ø4.9 |

| Type | C | | B | | D* | |
|---------|----|------|----|-----|-----|------|
| | mm | in | mm | in | mm | in |
| ø20 mm | 39 | 0.15 | 14 | 0.6 | ø39 | ø1.5 |
| ø25 mm | 44 | 1.7 | 14 | 0.6 | ø44 | ø1.7 |
| ø30 mm | 50 | 2.0 | 16 | 0.6 | ø50 | ø2.0 |
| ø40 mm | 63 | 2.5 | 18 | 0.7 | ø63 | ø2.5 |
| ø50 mm | 75 | 3.0 | 18 | 0.7 | ø75 | ø3.0 |
| ø1 in | 44 | 1.7 | 14 | 0.6 | ø44 | ø1.7 |
| ø1.5 in | 63 | 2.5 | 18 | 0.7 | ø63 | ø2.5 |
| ø2 in | 75 | 3.0 | 18 | 0.7 | ø75 | ø3.0 |

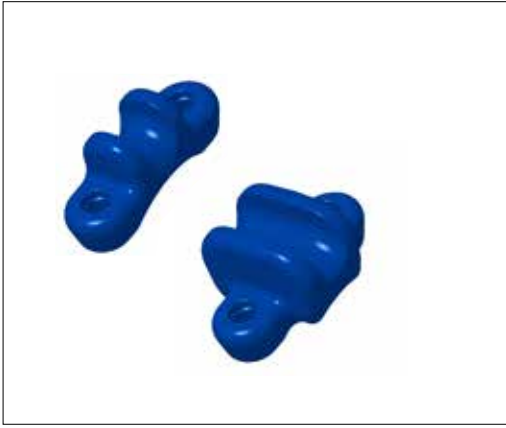
| | |
|-----------------------------|-----------------|
| Material & color | PA6-GF B |
|-----------------------------|-----------------|

* Use sprocket sizes that ensure that the belt or chain do not conflict with uni Retainer Rings.
Available in sets of 4 rings and sets of 20 rings.

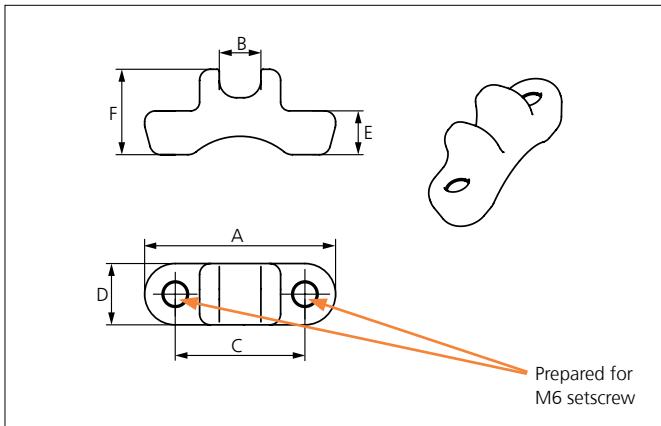


STANDARD

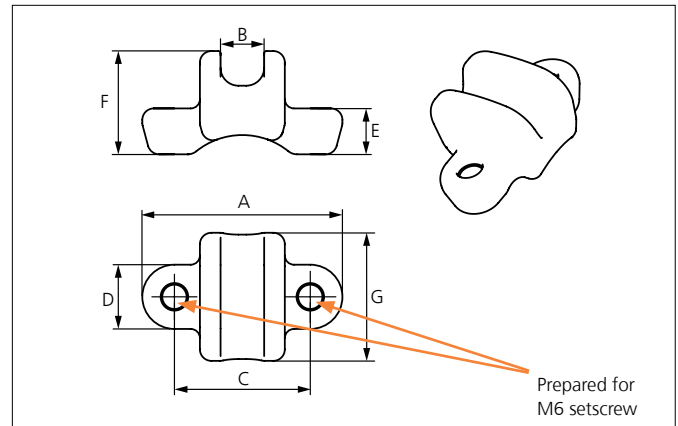
uni UltraClean Retainer



SQ1.5 in / SQ40 mm



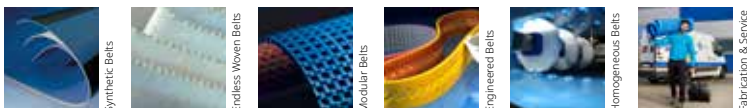
SQ60 mm / SQ2.5 in



| Type | A | | B | | C | | D | | E | | F | | G | |
|---------------------|------|------|-----|------|------|------|------|------|------|------|------|------|------|------|
| | mm | in | mm | in | mm | in | mm | in | mm | in | mm | in | mm | in |
| SQ40 mm SQ1.5 in | 43.6 | 1.72 | 9.5 | 0.37 | 29.6 | 1.17 | 14.0 | 0.55 | 10.0 | 0.39 | 19.5 | 0.77 | - | - |
| SQ60 mm SQ2.5 in | 43.6 | 1.72 | 9.5 | 0.37 | 29.6 | 1.17 | 14.0 | 0.55 | 10.0 | 0.39 | 22.5 | 0.89 | 27.9 | 1.10 |

| | |
|-----------------------------|-----------------|
| Material & color | PA6-GF B |
|-----------------------------|-----------------|

Available in sets of 4 uni UltraClean Retainers.



Expert advice and quality solutions for all your belting needs.
ammeraalbeltech.com

Ammeraal Beltech Modular A/S
 Hjulmagervej 21
 DK-7100 Vejle
 T +31 7572 3100

ammega.com

This information is subject to alteration due to continuous development. Ammeraal Beltech will not be held liable for the incorrect use of the above stated information. This information replaces previous information. All activities performed and services rendered by Ammeraal Beltech are subject to general terms and conditions of sale and delivery, as applied by its operating companies.